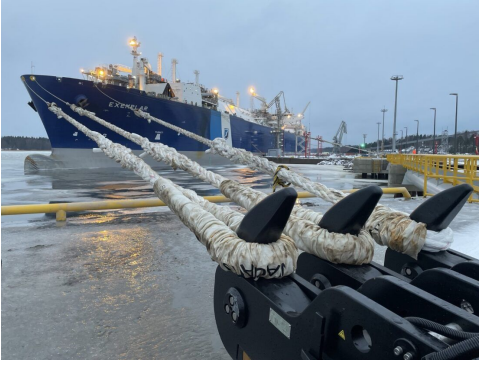


Straatman Quick Release Mooring Hooks



Experience Unrivaled Safety and Efficiency with Straatman Quick Release Mooring Hooks

Quick release mooring hooks stand as indispensable safety assets for a myriad of marine vessels, particularly in the realm of oil and gas tankers, FSRUs, FPSOs, and various other maritime applications. Straatman takes pride in being the forefront provider of these essential safety features, ensuring unparalleled safety and reliability in demanding maritime environments.



Why Choose Straatman Quick Release Mooring Hooks?

- **Swift and Secure Release:** Straatman quick release mooring hooks are engineered to facilitate rapid and hassle-free release, even under substantial loads. This attribute is paramount in scenarios where time is of the essence and safety cannot be compromised.
- **Optimized for Safety:** Safety is non-negotiable in maritime operations. These hooks are meticulously designed and rigorously tested to meet the highest safety standards, offering peace of mind in the most challenging mooring situations.
- **Tailored Solutions:** Recognizing the diverse needs of our clientele, Straatman offers a comprehensive range of options to accommodate various requirements. Whether you prioritize electric-hydraulic release mechanisms, load monitoring capabilities, remote control functionality, or rope keepers, they have you covered.

Quality Assurance Guaranteed

Every Straatman Quick Release Mooring Hook undergoes rigorous testing on our calibrated testing machine, ensuring that each unit meets or exceeds industry standards for safety and functionality. For added assurance, standard test certificates are included in the user manual, providing comprehensive documentation of the hook's performance. Moreover, if desired, a classification authority of your choice can witness the test firsthand, further validating the quality and integrity of our products.

Components of the Quick release Mooring Hooks



- **Manual Release Lever:** All quick release hooks can be released manually with an effort of ± 20 kg at full load.
- **Counter Balanced Hook:** The hook parts are made of forged steel and are counterbalanced. The hook can easily be reset by means of one simple rotation movement.
- **Base Plate:** The Base plates are made of high quality steel.

Custom made base plates to fit existing bolt patterns are available upon request.

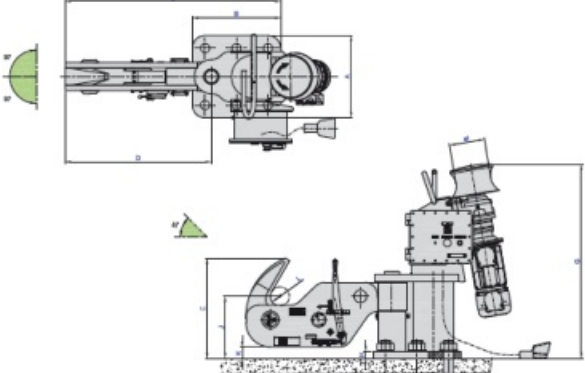
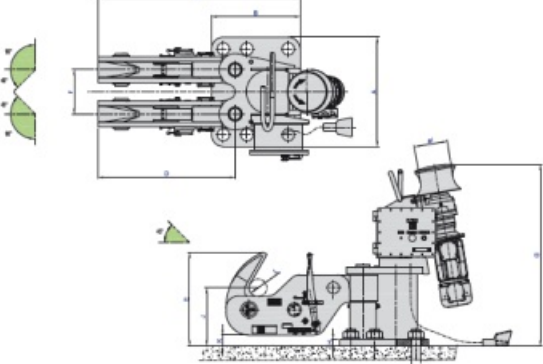
- **Locking Device:** The locking device prevents accidental release and confirms a positive reset
- **Self Supporting Hooks:** All hooks are self supporting. All movements are limited to prevent contact with the structure.

Additional Quick Release Mooring Hook Options

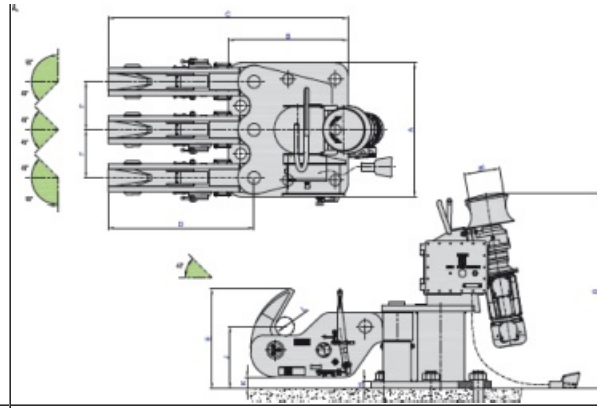
1. **Integrated Vertical Capstan:** integrated vertical capstan revolutionizes mooring line handling, ensuring safe and efficient operations. Say goodbye to manual hauling – our capstan streamlines the process with precision and reliability.
2. **Rope Keeper:** In critical scenarios where the risk of mooring or towing rope slippage exists, our rope keeper provides a dependable solution. Whether it's anchoring pontoons or mooring buoys facing turbulent waves, this device prevents accidental disengagement, bolstering safety and peace of mind.
3. **Remote Release:** Experience ultimate flexibility with our quick release hooks equipped with electric or electric-hydraulic release mechanisms. Should a breakdown occur, rest assured that you can activate the hooks manually with our demountable lever feature, safeguarding against unintended releases.
4. **Mooring Load Monitoring System:** Stay informed and proactive with the cutting-edge mooring load monitoring system, complete with in-hook load cell calibration capabilities. Controlled locally or remotely via our MoorControl software, this system ensures optimal performance and risk mitigation.

5. **Explosion Proof Version Components:** For operations in hazardous environments, explosion-proof version components provide unparalleled safety and compliance. Certified to meet ATEX, IECEx, and Class I Division 2 standards.
6. **Stand Alone Autonomous Solar Power Supply System:** A durable, autonomous solar energy solution, perfect for situations where conventional power sources via cables are impractical. This high-quality system guarantees continuous power availability, even in demanding environments, ensuring reliability with minimal downtime.

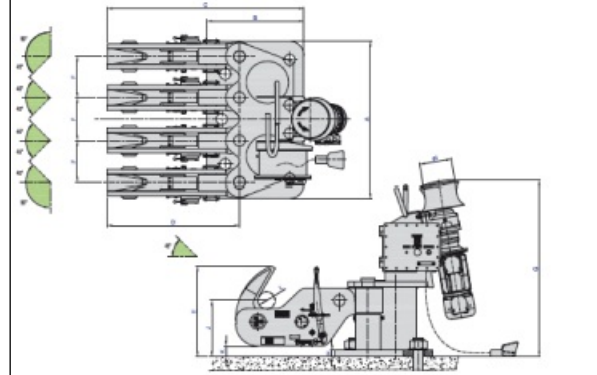
Quick Release Mooring Hooks Units

<p>Single Quick Release Mooring Hooks</p>	
<p>Double Quick Release Mooring Hooks</p>	

Triple Quick Release Mooring Hooks



Quadruple Quick Release Mooring Hooks



Versatile Applications

Straatman Quick Release Mooring Hooks are versatile solutions suitable for a wide range of applications, including:

- LNG Berths
- Oil Berths
- Bulk Liquid Berths
- FPSOs
- Grain Terminals
- Mooring Buoys
- Container Terminals

- Coal/Iron Terminals

The Perfect Mooring Solution For Your Toughest Projects

Straatman is equipped to design and manufacture custom foundations to fit your specifications precisely. Whether you require specific functionalities or specialized features, we can help bring your vision to life.

Enhance your mooring system with a variety of optional extras and custom components. From electric-hydraulic release mechanisms to advanced load monitoring systems, remote control capabilities, and convenient rope keepers, we offer a comprehensive array of add-ons to optimize performance.

Let us know your requirements, and we'll collaborate with you to meet the demands of your challenging project.